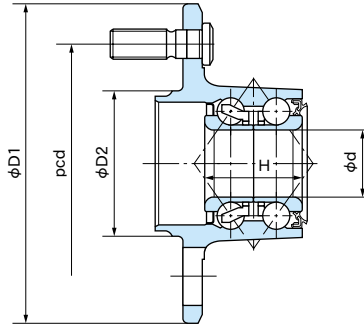


Wheel Hub Units



Bearing No.	Boundary dimensions (mm)				
	d	D1	D2	pcd	H
F25BVV10-7	25	134	61	100	40
H28BVV10-2 ⁽¹⁾	28	134	61	100	40
H28BVV10-6	28	134	61	100	40
F28BVV10-M3	28	122	55	100	47
F28BVV10-M4A ⁽¹⁾	28	122	55	100	47
F30BVV09-3 ⁽²⁾	30	R60.5	—	—	42
F36BVV11-5	36	140	72	114.3	62

Note: 1) For Anti-Lock Brake System
 2) Without bolts (unnecessary)

