

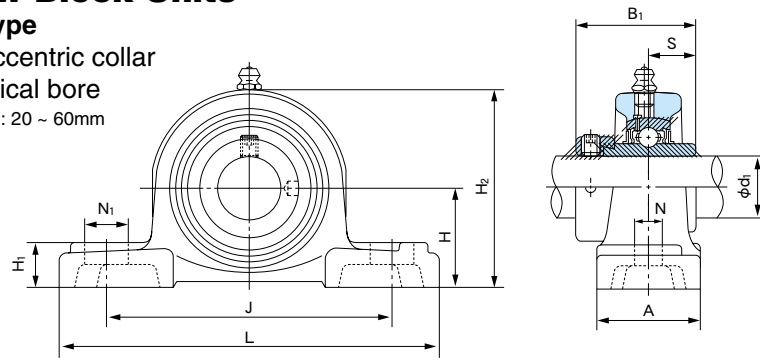
Pillow Block Units

UGP type

With eccentric collar

Cylindrical bore

Shaft dia. : 20 ~ 60mm



1N=0.102kgf

Shaft dia. d ₁ (mm)	Unit No.	Boundary dimensions (mm)											Bolt size	Bearings		Housing No.	Mass of Unit (kg)
		H	L	A	J	N	N ₁	H ₁	H ₂	B ₁	S	No.		Basic load rating (N)			
														Cr	Cor		
20	UGP204	33.3	127	38	95	13	19	15	65	43.7	17.1	M10	UG204+ER	12800	6600	P204	0.70
25	UGP205	36.5	140	38	105	13	16	16	70	44.4	17.5	M10	UG205+ER	14000	7900	P205	0.83
30	UGP206	42.9	165	48	121	17	21	18	83	48.4	18.3	M14	UG206+ER	19600	11300	P206	1.3
35	UGP207	47.6	167	48	127	17	21	19	94	51.1	18.8	M14	UG207+ER	25900	15400	P207	1.7
40	UGP208	49.2	184	54	137	17	25	19	100	56.3	21.4	M14	UG208+ER	29300	17900	P208	2.1
45	UGP209	54	190	54	146	17	22	20	108	56.3	21.4	M14	UG209+ER	33000	20500	P209	2.3
50	UGP210	57.2	206	60	159	20	25	22	114	62.7	24.6	M16	UG210+ER	35500	23200	P210	2.7
55	UGP211	63.5	219	60	171	20	25	22	126	71.4	27.8	M16	UG211+ER	43000	29400	P211	3.5
60	UGP212	69.8	241	70	184	20	25	25	138	77.8	31	M16	UG212+ER	52500	36100	P212	5.0

Remarks: Grease nipple :1/4-28UNF