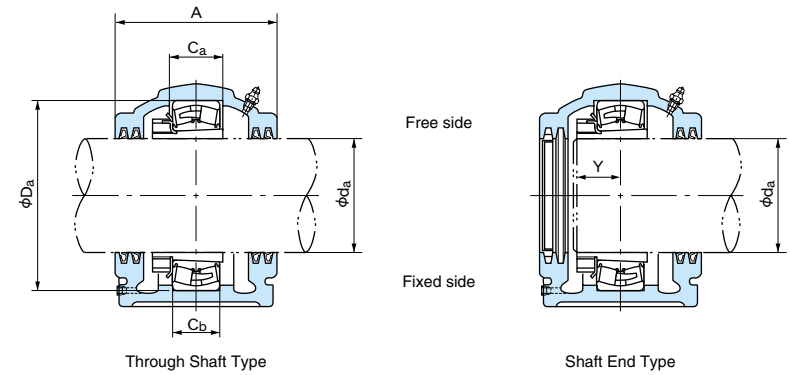
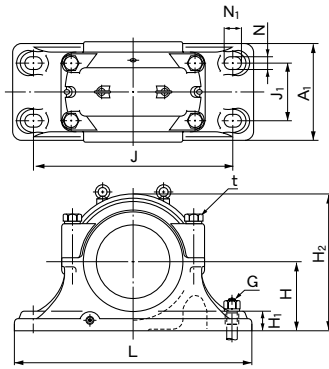


Plummer Block Housings

SD5, SD6, SD30, SD31 Series

for Bearing with Adapter Sleeve

Shaft Diameter : 150~ 300mm



1N=0.102kgf

Shaft dia. d _a (mm)	Dimensions (mm)														Mass (kg)	Designations		Applicable parts			Y (Reference)	
	D _a (H8)	H (h13)	J	J ₁	N	N ₁	A	L	A ₁	H ₁	H ₂	C _a (H13)	C _b (H13)	G (Nominal)		t (Nominal) (Reference)	Free side	Fixed side	Spherical roller bearings	Adapter sleeve		Oil seal
150	260	160	450	110	36	46	230	540	200	50	315	67	86	M30	M24	70	SD3034	SD3034G	23034EK	H3034	GS34	66
	280	170	470	120	36	46	250	560	220	50	335	98	88	M30	M24	75	SD3134	SD3134G	23134EK	H3134	GS34	76
	310	180	510	140	36	46	270	620	250	60	360	96	86	M30	M24	100	SD534	SD534G	22234EK	H3134	GS34	75
	360	210	610	170	36	46	300	740	290	65	420	130	120	M30	M30	160	SD634	SD634G	22334EK	H2334	GS34	92
160	280	170	470	120	36	46	250	560	220	50	335	84	74	M30	M24	79	SD3036	SD3036G	23036EK	H3036	GS36	70
	300	180	520	140	36	46	270	630	250	55	355	106	96	M30	M24	94	SD3136	SD3136G	23136EK	H3136	GS36	81
	320	190	540	150	36	46	280	650	260	60	380	96	86	M30	M24	110	SD536	SD536G	22236EK	H3136	GS36	76
	380	225	640	180	43	59	320	780	310	70	450	136	126	M36	M30	195	SD636	SD636G	22336EK	H2336	GS36	96
170	290	170	470	120	36	46	250	560	220	50	340	85	75	M30	M24	87	SD3038	SD3038G	23038EK	H3038	GS38	72
	320	190	560	140	36	46	290	680	270	55	385	114	104	M30	M24	110	SD3138	SD3138G	23138EK	H3138	GS38	86
	340	200	570	160	36	46	290	700	280	65	400	102	92	M30	M30	130	SD538	SD538G	22238EK	H3138	GS38	80
	400	240	680	190	43	59	330	820	320	70	475	142	132	M36	M30	210	SD638	SD638G	22338EK	H2338	GS38	100
180	310	180	510	140	36	46	270	620	250	60	360	92	82	M30	M24	100	SD3040	SD3040G	23040EK	H3040	GS40	76
	340	200	570	160	36	46	310	700	280	65	400	122	112	M30	M30	130	SD3140	SD3140G	23140EK	H3140	GS40	91
	360	210	610	170	36	46	300	740	290	65	420	108	98	M30	M30	155	SD540	SD540G	22240EK	H3140	GS40	84
	420	250	710	200	43	59	350	860	340	85	500	148	138	M36	M36	240	SD640	SD640G	22340EK	H2340	GS40	104
200	340	200	570	160	36	46	290	700	280	65	400	100	90	M30	M30	130	SD3044	SD3044G	23044EK	H3044	GS44	79
	370	225	640	180	43	59	320	780	310	70	445	130	120	M36	M30	180	SD3144	SD3144G	23144EK	H3144	GS44	96
	400	240	680	190	43	59	330	820	320	70	475	118	108	M36	M30	205	SD544	SD544G	22244EK	H3144	GS44	90
	460	280	770	210	43	59	360	920	350	85	550	155	145	M36	M36	315	SD644	SD644G	22344EK	H2344	GS44	109
220	360	210	610	170	36	46	300	740	290	65	420	102	92	M30	M30	160	SD3048	SD3048G	23048EK	H3048	GS48	84
	400	240	680	190	43	59	330	820	320	70	475	138	128	M36	M30	210	SD3148	SD3148G	23148EK	H3148	GS48	102
	440	260	740	200	43	59	340	880	330	85	515	130	120	M36	M36	240	SD548	SD548G	22248EK	H3148	GS48	98
	500	300	830	230	50	67	390	990	380	100	590	165	155	M42	M36	405	SD648	SD648G	22348EK	H2348	GS48	116
240	400	240	680	190	43	59	340	820	320	70	475	114	104	M36	M30	210	SD3052	SD3052G	23052EK	H3052	GS52	90
	440	260	740	200	43	59	360	880	350	85	515	154	144	M36	M36	240	SD3152	SD3152G	23152EK	H3152	GS52	112
	480	280	790	210	43	59	370	940	360	85	560	140	130	M36	M36	315	SD552	SD552G	22252EK	H3152	GS52	105
	540	325	890	250	50	67	410	1060	400	100	640	175	165	M42	M36	480	SD652	SD652G	22352EK	H2352	GS52	123
260	420	250	710	200	43	59	350	860	340	85	500	116	106	M36	M36	240	SD3056	SD3056G	23056EK	H3056	GS56	95
	460	280	770	210	43	59	360	920	350	85	550	156	146	M36	M36	315	SD3156	SD3156G	23156EK	H3156	GS56	115
	500	300	830	230	50	67	390	990	380	100	590	140	130	M42	M36	390	SD556	SD556G	22256EK	H3156	GS56	107
	580	355	930	270	57	77	440	1110	430	110	690	185	175	M48	M42	610	SD656	SD656G	22356EK	H2356	GS56	130
280	460	280	770	210	43	59	360	920	350	85	550	128	118	M36	M36	300	SD3060	SD3060G	23060EK	H3060	GS60	105
	500	300	830	230	50	67	390	990	380	100	590	170	160	M42	M36	405	SD3160	SD3160G	23160EK	H3160	GS60	124
	540	325	890	250	50	67	410	1060	400	100	640	150	140	M42	M36	465	SD560	SD560G	22260EK	H3160	GS60	114
300	480	280	790	210	43	59	380	940	360	85	560	131	121	M36	M36	320	SD3064	SD3064G	23064EK	H3064	GS64	108
	540	325	890	250	50	67	430	1060	400	100	640	186	176	M42	M36	480	SD3164	SD3164G	23164EK	H3164	GS64	135
	580	355	930	270	57	77	440	1110	430	110	690	160	150	M48	M42	595	SD564	SD564G	22264EK	H3164	GS64	122

Remarks (1): Plummer block housings are housings with oil seals, plugs and a nipple.

To make a complete unit, please order the corresponding bearing and adapter sleeve shown in the table additionally.

(2): Dimension C_a is for the free side housings and dimension C_b for the fixed side housings. (Locating rings are not required in the fixed side housings.)

(3): The masses in the table do not include the bearing and adapter sleeve but the bolts.

(4): H8, H13 and h13 in the table means tolerance classes specified in JIS B 0401.

(5): The thread for a grease nipple is PT1/4, and the threads for tow drain plugs are PT3/8.

(6): Plummer block housings listed in the above table are provided with eye bolts.

(7): Designations of shaft end type housings have suffix "E" at the end.

(8): The dimension Y indicates the distance from the bearing center to the outer side face of the nut.