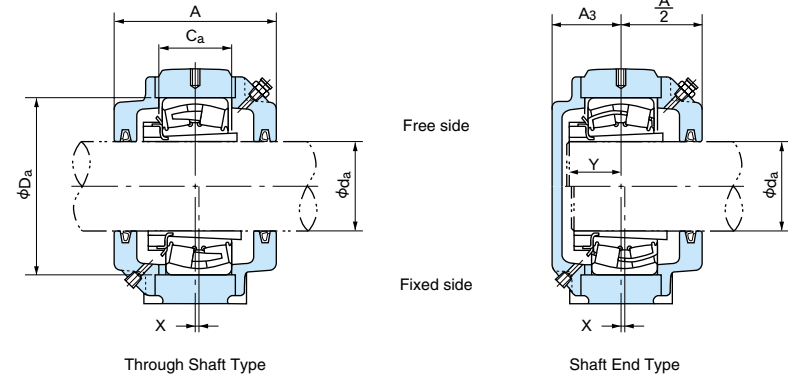
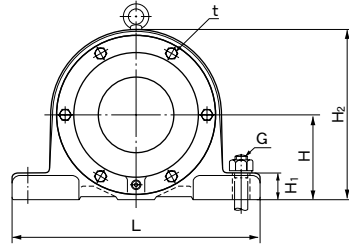
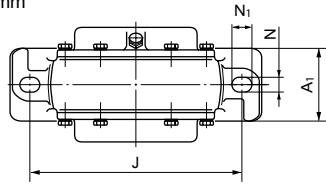


**One piece type
Plummer Block Housings**

V Series
for Bearing with Adapter Sleeve

Shaft Diameter : 30 ~ 70mm



1N=0.102kgf

Shaft dia. d _a (mm)	Dimensions (mm)														Mass (kg) (Reference)	Designations		Applicable parts						
	D _a (H7)	H (h11)	J	N	N ₁	A	L	A ₁	A ₃	H ₁	H ₂	C _a	G (Nominal)	t (Nominal/Reference)		Through Shaft Type	Shaft End Type	Self-aligning ball bearings	Spherical roller bearings	Adapter sleeve	Oil seal	Locating ring		Y (Reference)
																					Designation	Q'ty		
30	80	60	170	16	20	95	205	60	40.5	25	118	37	M14	M6	4.8	V080C30-30	V080C30-0	1307K 2307K	21307EK -	H307X H2307X	GS 7	SR80×8 SR80×6	2 1	21 26
	80	60	170	16	20	95	205	60	40.5	25	118	37	M14	M6	4.3	V080C35-35	V080C35-0	1208K 2208K	- 22208EXK	H208X H308X	GS 8	SR80×9.5 SR80×7	2 2	21 23
35	90	67	170	16	20	100	205	60	42.5	25	128	39	M14	M6	5.1	V090C35-35	V090C35-0	1308K 2308K	21308EK 22308EXK	H308X H2308X	GS 8	SR90×8 SR90×6	2 1	23 28
	85	63	170	16	20	98	205	60	42.5	25	125	39	M14	M6	4.7	V085C40-40	V085C40-0	1209K 2209K	- 22209EXK	H209X H309X	GS 9	SR85×10 SR85×8	2 2	22 24
40	100	71	210	16	23	106	255	70	47	28	140	42	M14	M6	6.9	V100C40-40	V100C40-0	1309K 2309K	21309EK 22309EXK	H309X H2309X	GS 9	SR100×8.5 SR100×6	2 1	25 31
	90	67	170	16	20	100	205	60	42.5	25	128	39	M14	M6	4.6	V090C45-45	V090C45-0	1210K 2210K	- 22210EXK	H210X H310X	GS10	SR90×9.5 SR90×8	2 2	24 25
45	110	80	210	21	25	112	255	70	47	30	155	46	M18	M6	8.9	V110C45-45	V110C45-0	1310K 2310K	21310EK 22310EXK	H310X H2310X	GS10	SR110×9.5 SR110×6	2 1	27 34
	100	71	210	16	23	106	255	70	47	28	140	42	M14	M6	6.4	V100C50-50	V100C50-0	1211K 2211K	- 22211EXK	H211X H311X	GS11	SR100×10.5 SR100×8.5	2 2	25 27
50	120	85	230	21	25	118	275	80	50	30	165	49	M18	M6	11	V120C50-50	V120C50-0	1311K 2311K	21311EK 22311EXK	H311X H2311X	GS11	SR120×10 SR120×6	2 1	29 36
	110	80	210	21	25	112	255	70	47	30	155	46	M18	M6	8.0	V110C55-55	V110C55-0	1212K 2212K	- 22212EXK	H212X H312X	GS12	SR110×12 SR110×9	2 2	26 29
55	130	90	230	21	25	118	280	80	50	30	175	50	M18	M6	12	V130C55-55	V130C55-0	1312K 2312K	21312EK 22312EXK	H312X H2312X	GS12	SR130×9.5 SR130×4	2 1	31 39
	120	85	230	21	25	118	275	80	50	30	165	49	M18	M6	10	V120C60-60	V120C60-0	1213K 2213K	- 22213EXK	H213X H313X	GS13	SR120×13 SR120×9	2 2	28 32
60	125	90	230	21	25	118	280	80	50	30	175	50	M18	M6	11	V125C60-60	V125C60-0	1313K 2313K	21313EK 22313EXK	H313X H2313X	GS13	SR125×9.5 SR140×11.5	2 1	32 33
	140	100	260	25	30	136	315	90	58	32	195	56	M22	M8	18	V140C60-60	V140C60-0	1313K 2313K	21313EK 22313EXK	H313X H2313X	GS13	SR140×8 SR140×8	1 1	40 40
65	150	100	260	25	30	140	315	90	60	32	195	56	M22	M8	16	V150C60-60	V150C60-0	- -	21314EK 22314EXK	H314X H2314X	GS13	SR150×10.5 SR150×5	2 1	34 42
	130	90	230	21	25	118	280	80	50	30	175	50	M18	M6	11	V130C65-65	V130C65-0	1215K 2215K	- 22215EXK	H215X H315X	GS15	SR130×12.5 SR130×9.5	2 2	30 33
70	160	112	290	25	30	150	345	100	65	35	224	62	M22	M8	24	V160C65-65	V160C65-0	1315K 2315K	21315EK 22315EXK	H315X H2315X	GS15	SR160×12.5 SR160×7	2 1	36 45
	140	100	260	25	30	136	315	90	58	32	195	56	M22	M8	17	V140C70-70	V140C70-0	1216K 2216K	- 22216EXK	H216X H316X	GS16	SR140×15 SR140×11.5	2 2	32 36
	170	112	290	25	30	165	345	100	72.5	35	224	62	M22	M8	22	V170C70-70	V170C70-0	1316K 2316K	21316EK 22316EXK	H316X H2316X	GS16	SR170×11.5 SR170×4	2 1	39 48

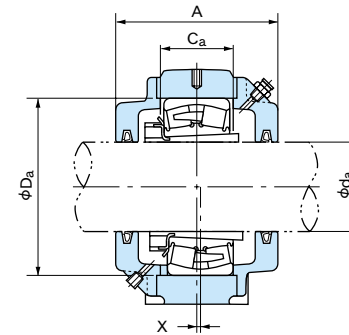
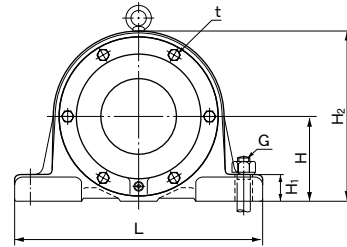
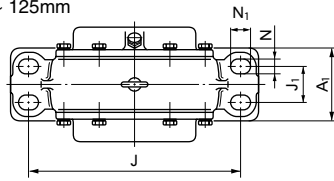
Remarks (1): Plummer block housings are housings with covers, oil seals, a plug and a nipple only. To make a complete unit, please order the corresponding bearing, adapter sleeve and locating rings shown in the table additionally.
 (2): The masses in the table do not include the bearing, adapter sleeve and locating rings.
 (3): H7 and h11 in the table means tolerance classes specified in JIS B 0401.
 (4): The tolerance of locating ring O.D. is h12, and 0 ~ -0.2 for the width.

(5): Plummer block housings V180 and larger are provided with eye bolts.
 (6): The threads for plugs are PT1/8 for V170 and smaller, and PT1/4 for V180 and larger.
 (7): When one locating ring is used for fixed-end, the offset (X dimension) of bearing center from the center of the housing is a half of the locating ring width.
 (8): ZF type oil seals are also available instead of GS type seals.
 (9): The dimension Y indicates the distance from the bearing center to the outer side face of the nut.

**One piece type
Plummer Block Housings**

V Series
for Bearing with Adapter Sleeve

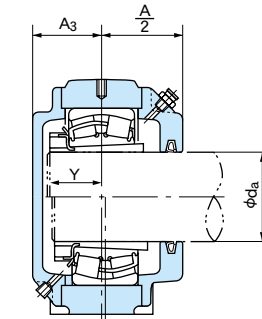
Shaft Diameter : 75 ~ 125mm



Free side

Fixed side

Through Shaft Type



Shaft End Type

1N=0.102kgf

Shaft dia. d _a (mm)	Dimensions (mm)														Mass (kg) (Reference)	Designations		Applicable parts							
	D _a (H7)	H (h11)	J	J ₁	N	N ₁	A	L	A ₁	A ₃	H ₁	H ₂	C _a	G (Nominal)		t (Nominal/Reference)	Through Shaft Type	Shaft End Type	Self-aligning ball bearings	Spherical roller bearings	Adapter sleeve	Oil seal	Locating ring		Y (Reference)
																						Designation	Qty		
75	150	100	260	—	25	30	140	315	90	60	32	195	56	M22	M8	16	V150C75-75	V150C75-0	1217K 2217K	— 22217EXK	H217X H317X	GS17	SR150×14 SR150×10	2 2	34 38
	180	125	320	56	23	32	170	380	110	75	40	243	70	M20	M8	29	V180C75-75	V180C75-0	1317K 2317K	21317EK 22317EXK	H317X H2317X	GS17	SR180×14.5 SR180×10	2 1	41 50
80	160	112	290	—	25	30	150	345	100	65	35	224	62	M22	M8	24	V160C80-80	V160C80-0	1218K 2218K	— 22218EXK	H218X H318X	GS18	SR160×16 SR160×11	2 2	35 40
	190	125	320	56	23	32	170	380	110	75	40	243	70	M20	M8	26	V190C80-80	V190C80-0	1318K 2318K	21318EK 22318EXK	H318X H2318X	GS18	SR190×13.5 SR190×6	2 2	42 52
85	170	112	290	—	25	30	165	345	100	72.5	35	224	62	M22	M8	22	V170C85-85	V170C85-0	1219K 2219K	— 22219EXK	H219X H319X	GS19	SR170×15 SR170×9.5	2 2	37 43
	200	132	350	60	23	32	190	410	120	82	45	265	82	M20	M10	40	V200C85-85	V200C85-0	1319K 2319K	21319EK 22319EXK	H319X H2319X	GS19	SR200×18.5 SR200×15	2 1	44 55
90	180	125	320	56	23	32	170	380	110	75	40	243	70	M20	M8	28	V180C90-90	V180C90-0	1220K 2220K	— 22220EXK	H220X H320X	GS20	SR180×18 SR180×12	2 2	39 45
	215	140	350	60	23	32	190	410	120	82	45	280	82	M20	M10	42	V215C90-90	V215C90-0	1320K 2320K	21320EK 22320EXK	H320X H2320X	GS20	SR215×17.5 SR215×9	2 2	46 59
100	170	112	290	—	25	30	165	345	100	72.5	35	224	62	M22	M8	20	V170C100-100	V170C100-0	—	23022EK	H322X	GS22	SR170×8.5	2	46
	180	125	320	56	23	32	170	380	110	75	40	243	70	M20	M8	26	V180C100-100	V180C100-0	—	23122EK	H3122X	GS22	SR180×14	1	51
	200	132	350	60	23	32	190	410	120	82	45	265	82	M20	M10	39	V200C100-100	V200C100-0	1222K 2222K	— 22222EXK	H222X H322X	GS22	SR200×22 SR200×14.5	2 2	42 50
	240	160	390	80	23	32	218	470	150	96	50	315	96	M20	M10	60	V240C100-100	V240C100-0	1322K 2322K	21322EK 22322EXK	H322X H2322X	GS22	SR240×23 SR240×16	2 1	48 63
110	180	125	320	56	23	32	170	380	110	75	40	243	70	M20	M8	25	V180C110-110	V180C110-0	—	23024EK	H3024X	GS24	SR180×12	2	47
	200	132	350	60	23	32	190	410	120	82	45	265	82	M20	M10	39	V200C110-110	V200C110-0	—	23124EK	H3124X	GS24	SR200×20	1	55
	215	140	350	60	23	32	190	410	120	82	45	280	82	M20	M10	41	V215C110-110	V215C110-0	—	22224EXK 23224EK	H3124X H2324X	GS24	SR215×12 SR215×6	2 1	53 62
	260	170	450	92	29	42	236	540	160	105	60	335	103	M24	M10	72	V260C110-110	V260C110-0	—	22324EK	H2324X	GS24	SR260×17	1	67
115	200	132	350	60	23	32	190	410	120	82	45	265	82	M20	M10	38	V200C115-115	V200C115-0	—	23026EK	H3026	GS26	SR200×15	2	51
	210	140	350	60	23	32	190	410	120	82	45	280	82	M20	M10	42	V210C115-115	V210C115-0	—	23126EK	H3126	GS26	SR210×18	1	57
	230	150	380	65	23	32	200	450	130	87	50	300	86	M20	M10	50	V230C115-115	V230C115-0	—	22226EXK 23226EK	H3126 H2326	GS26	SR230×11 SR230×6	2 1	57 65
	280	180	470	92	29	42	243	560	160	108.5	60	355	108	M24	M10	82	V280C115-115	V280C115-0	—	22326EK	H2326	GS26	SR280×15	1	72
125	210	140	350	60	23	32	190	410	120	82	45	280	82	M20	M10	40	V210C125-125	V210C125-0	—	23028EK	H3028	GS28	SR210×14.5	2	53
	225	150	380	65	23	32	200	450	130	87	50	300	86	M20	M10	50	V225C125-125	V225C125-0	—	23128EK	H3128	GS28	SR225×18	1	60
	250	160	420	80	23	32	218	500	150	96	50	315	94	M20	M10	54	V250C125-125	V250C125-0	—	22228EXK 23228EK	H3128 H2328	GS28	SR250×13 SR250×6	2 1	60 70
	300	190	520	92	29	50	250	610	170	112	65	375	113	M24	M12	97	V300C125-125	V300C125-0	—	22328EK	H2328	GS28	SR300×11	1	77

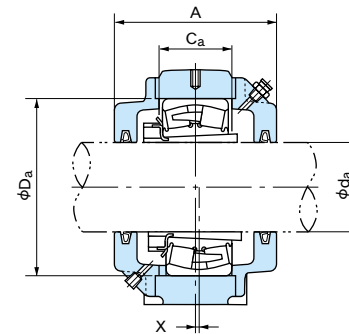
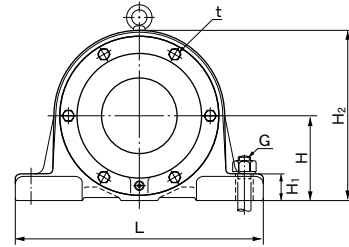
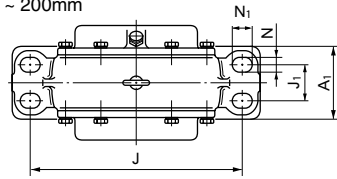
Remarks (1): Plummer block housings are housings with covers, oil seals, a plug and a nipple.
To make a complete unit, please order the corresponding bearing, adapter sleeve and locating rings shown in the table additionally.
(2): The masses in the table do not include the bearing, adapter sleeve and locating rings.
(3): H7 and h11 in the table means tolerance classes specified in JIS B 0401.
(4): The tolerance of locating ring O.D. is h12, and 0 ~ -0.2 for the width.

(5): Plummer block housings V180 and larger are provided with eye bolts.
(6): The threads for plugs are PT1/8 for V170 and smaller, and PT1/4 for V180 and larger.
(7): When one locating ring is used for fixed-end, the offset (X dimension) of bearing center from the center of the housing is a half of the locating ring width.
(8): ZF type oil seals are also available instead of GS type seals.
(9): The dimension Y indicates the distance from the bearing center to the outer side face of the nut.

One piece type Plummer Block Housings

V Series
for Bearing with Adapter Sleeve

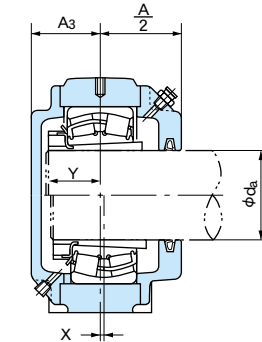
Shaft Diameter : 135 ~ 200mm



Through Shaft Type

Free side

Fixed side



Shaft End Type

1N=0.102kgf

Shaft dia. d _a (mm)	Dimensions (mm)															Mass (kg)		Designations		Applicable parts					Y (Reference)
	D _a (H7)	H (h11)	J	J ₁	N	N ₁	A	L	A ₁	A ₃	H ₁	H ₂	C _a	G (Nominal)	t (Reference)	Through Shaft Type	Shaft End Type	Spherical roller bearings	Adapter sleeve	Oil seal	Locating ring				
																					Designation	Q'ty			
135	225	150	380	65	23	32	200	450	130	87	50	300	86	M20	M10	V225C135-135	V225C135-0	23030EK	H3030	GS30	SR225×15	2	56		
	250	160	420	80	23	32	218	500	150	96	50	315	94	M20	M10	V250C135-135	V250C135-0	23130EK	H3130	GS30	SR250×14	1	68		
	270	170	450	92	29	42	236	540	160	105	60	335	103	M24	M10	V270C135-135	V270C135-0	22230EK 23230EK	H3130 H2330	GS30	SR270×15 SR270×7	2 1	65 76		
	320	200	560	92	29	50	258	660	180	116	65	405	122	M24	M12	V320C135-135	V320C135-0	22330EK	H2330	GS30	SR320×14	1	82		
140	240	160	390	80	23	32	218	470	150	96	50	315	96	M20	M10	V240C140-140	V240C140-0	23032EK	H3032	GS32	SR240×18	2	61		
	270	170	450	92	29	42	236	540	160	105	60	335	103	M24	M10	V270C140-140	V270C140-0	23132EK	H3132	GS32	SR270×17	1	74		
	290	190	470	92	29	50	250	560	170	112	60	375	113	M24	M12	V290C140-140	V290C140-0	22232EK 23232EK	H3132 H2332	GS32	SR290×16.5 SR290×9	2 1	71 83		
	340	212	580	104	33	54	300	680	190	137	65	425	130	M27	M12	V340C140-140	V340C140-0	22332EK	H2332	GS32	SR340×16	1	88		
150	260	170	450	92	29	42	236	540	160	105	60	335	103	M24	M10	V260C150-150	V260C150-0	23034EK	H3034	GS34	SR260×18	2	66		
	280	180	470	92	29	42	243	560	160	108.5	60	355	108	M24	M10	V280C150-150	V280C150-0	23134EK	H3134	GS34	SR280×20	1	76		
	310	200	560	92	29	50	258	660	180	116	65	405	122	M24	M12	V310C150-150	V310C150-0	22234EK 23234EK	H3134 H2334	GS34	SR310×18 SR310×12	2 1	75 87		
160	280	180	470	92	29	42	243	560	160	108.5	60	355	108	M24	M10	V280C160-160	V280C160-0	23036EK	H3036	GS36	SR280×17	2	70		
	300	190	520	92	29	50	250	610	170	112	65	375	113	M24	M12	V300C160-160	V300C160-0	23136EK	H3136	GS36	SR300×17	1	81		
	320	200	560	92	29	50	258	660	180	116	65	405	122	M24	M12	V320C160-160	V320C160-0	22236EK 23236EK	H3136 H2336	GS36	SR320×18 SR320×10	2 1	76 89		
170	290	190	470	92	29	50	250	560	170	112	60	375	113	M24	M12	V290C170-170	V290C170-0	23038EK	H3038	GS38	SR290×19	2	72		
	320	200	560	92	29	50	258	660	180	116	65	405	122	M24	M12	V320C170-170	V320C170-0	23138EK	H3138	GS38	SR320×18	1	86		
	340	212	580	104	33	54	300	680	190	137	65	425	130	M27	M12	V340C170-170	V340C170-0	22238EK 23238EK	H3138 H2338	GS38	SR340×19 SR340×10	2 1	80 94		
180	310	200	560	92	29	50	258	660	180	116	65	405	122	M24	M12	V310C180-180	V310C180-0	23040EK	H3040	GS40	SR310×20	2	76		
	340	212	580	104	33	54	300	680	190	137	65	425	130	M27	M12	V340C180-180	V340C180-0	23140EK	H3140	GS40	SR340×18	1	91		
200	340	212	580	104	33	54	300	680	190	137	65	425	130	M27	M12	V340C200-200	V340C200-0	23044EK	H3044	GS44	SR340×20	2	79		

- Remarks (1): Plummer block housings are housings with covers, oil seals, a plug and a nipple only.
To make a complete unit, please order the corresponding bearing, adapter sleeve and locating rings shown in the table additionally.
- (2): The masses in the table do not include the bearing, adapter sleeve and locating rings.
- (3): H7 and h11 in the table means tolerance classes specified in JIS B 0401.
- (4): The tolerance of locating ring O.D. is h12, and 0 ~ -0.2 for the width.

- (5): Plummer block housings V180 and larger are provided with eye bolts.
- (6): The threads for plugs are PT1/8 for V170 and smaller, and PT1/4 for V180 and larger.
- (7): When one locating ring is used for fixed-end, the offset (X dimension) of bearing center from the center of the housing is a half of the locating ring width.
- (8): ZF type oil seals are also available instead of GS type seals.
- (9): The dimension Y indicates the distance from the bearing center to the outer side face of the nut.