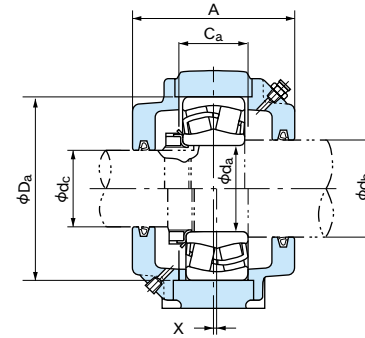
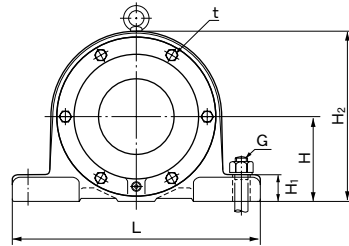
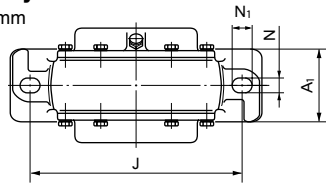


One piece type Plummer Block Housings

V Series

for Bearing with Cylindrical Bore

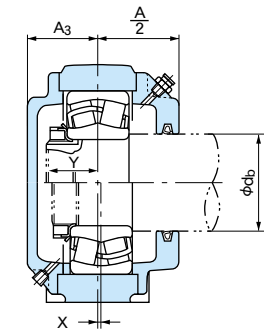
Shaft Diameter : 35 ~ 80mm



Through Shaft Type

Free side

Fixed side



Shaft End Type

1N=0.102kgf

Shaft dia. d _a d _b d _c (mm)	Dimensions (mm)														Mass (kg) (Reference)	Designations		Applicable parts										
	D _a (H7)	H (h11)	J	N	N ₁	A	L	A ₁	A ₃	H ₁	H ₂	C _a	G (Nominal)	t (Nominal Reference)		Same Bore Type	Different Bore Type	Self-aligning ball bearings	Spherical roller bearings	Nut	Locking washer	Oil seal		Locating ring		Y (Reference)		
																					d _b side	d _c side	Designation	Q'ty				
35	45	30	80	60	170	16	20	95	205	60	40.5	25	118	37	M14	M6	4.5	V080C45-30	V080C45-0	1307 2307	21307E -	AN07	AW07X	GS10	GS 7	SR80×8 SR80×6	2 1	21 26
			80	60	170	16	20	95	205	60	40.5	25	118	37	M14	M6	4.0	V080C50-35	V080C50-0	1208 2208	- 22208EX	AN08	AW08X	GS11	GS 8	SR80×9.5 SR80×7	2 2	21 23
40	50	35	90	67	170	16	20	100	205	60	42.5	25	128	39	M14	M6	4.8	V090C50-35	V090C50-0	1308 2308	21308E 22308EX	AN08	AW08X	GS11	GS 8	SR90×8 SR90×6	2 1	23 28
			85	63	170	16	20	98	205	60	42.5	25	125	39	M14	M6	4.5	V085C55-40	V085C55-0	1209 2209	- 22209EX	AN09	AW09X	GS12	GS 9	SR85×10 SR85×8	2 2	22 24
45	55	40	100	71	210	16	23	106	255	70	47	28	140	42	M14	M6	6.4	V100C55-40	V100C55-0	1309 2309	21309E 22309EX	AN09	AW09X	GS12	GS 9	SR100×8.5 SR100×6	2 1	25 31
			90	67	170	16	20	100	205	60	42.5	25	128	39	M14	M6	4.3	V090C60-45	V090C60-0	1210 2210	- 22210EX	AN10	AW10X	GS13	GS10	SR90×9.5 SR90×8	2 2	24 25
50	60	45	110	80	210	21	25	112	255	70	47	30	155	46	M18	M6	7.8	V110C60-45	V110C60-0	1310 2310	21310E 22310EX	AN10	AW10X	GS13	GS10	SR110×9.5 SR110×6	2 1	27 34
			100	71	210	16	23	106	255	70	47	28	140	42	M14	M6	6.0	V100C65-50	V100C65-0	1211 2211	- 22211EX	AN11	AW11X	GS15	GS11	SR100×10.5 SR100×8.5	2 2	25 27
55	65	50	120	85	230	21	25	118	275	80	50	30	165	49	M18	M6	10	V120C65-50	V120C65-0	1311 2311	21311E 22311EX	AN11	AW11X	GS15	GS11	SR120×10 SR120×6	2 1	29 36
			70	55	110	80	210	21	25	112	255	70	47	30	155	46	M18	M6	7.6	V110C70-55	V110C70-0	1212 2212	- 22212EX	AN12	AW12X	GS16	GS12	SR110×12 SR110×9
60	70 ⁽¹⁾	55	130	90	230	21	25	118	280	80	50	30	175	50	M18	M6	11	V130C70-55	V130C70-0	1312 2312	21312E 22312EX	AN12	AW12X	GS16	GS12	SR130×9.5 SR130×4	2 1	31 39
			75	60	120	85	230	21	25	118	275	80	50	30	165	49	M18	M6	9.6	V120C75-60	V120C75-0	1213 2213	- 22213EX	AN13	AW13X	GS17	GS13	SR120×13 SR120×9
65	75 ⁽¹⁾	60	140	100	260	25	30	136	315	90	58	32	195	56	M22	M8	17	V140C75-60	V140C75-0	1313 2313	21313E 22313EX	AN13	AW13X	GS17	GS13	SR140×11.5 SR140×8	2 1	33 40
			80	60	125	90	230	21	25	118	280	80	50	30	175	50	M18	M6	10	V125C80-60	V125C80-0	1214 2214	- 22214EX	AN14	AW14X	GS18	GS13	SR125×13 SR125×9.5
70	80 ⁽¹⁾	60	150	100	260	25	30	140	315	90	60	32	195	56	M22	M8	16	V150C80-60	V150C80-0	1314 2314	21314E 22314EX	AN14	AW14X	GS18	GS13	SR150×10.5 SR150×5	2 1	34 42
			85	65	130	90	230	21	25	118	280	80	50	30	175	50	M18	M6	10	V130C85-65	V130C85-0	1215 2215	- 22215EX	AN15	AW15X	GS19	GS15	SR130×12.5 SR130×9.5
75	85 ⁽¹⁾	65	160	112	290	25	30	150	345	100	65	35	224	62	M22	M8	23	V160C85-65	V160C85-0	1315 2315	21315E 22315EX	AN15	AW15X	GS19	GS15	SR160×12.5 SR160×7	2 1	36 45
			90	70	140	100	260	25	30	136	315	90	58	32	195	56	M22	M8	17	V140C90-70	V140C90-0	1216 2216	- 22216EX	AN16	AW16X	GS20	GS16	SR140×15 SR140×11.5
80	90 ⁽¹⁾	70	170	112	290	25	30	165	345	100	72.5	35	224	62	M22	M8	21	V170C90-70	V170C90-0	1316 2316	21316E 22316EX	AN16	AW16X	GS20	GS16	SR170×11.5 SR170×4	2 1	39 48

Note (1): When heavy axial load is applied, a spacer with large O.D. and small inner chamfer must be used between the bearing and shaft shoulder to obtain a sufficient contact area.

Remarks (1): Plummer block housings are housings with covers, oil seals, a plug and a nipple. To make a complete unit, please order the corresponding bearing, adapter sleeve and locating rings shown in the table additionally.

(2): The masses in the table do not include the bearing, adapter sleeve and locating rings.

(3): H7 and h11 in the table means tolerance classes specified in JIS B 0401.

(4): The tolerance of locating ring O.D. is h12, and 0 ~ -0.2 for the width.

(5): Plummer block housings V180 and larger are provided with eye bolts.

(6): The threads for plugs are PT1/8 for V170 and smaller, and PT1/4 for V180 and larger.

(7): When one locating ring is used for fixed-end, the offset (X dimension) of bearing center from the center of the housing is a half of the locating ring width.

(8): ZF type oil seals are also available instead of GS type seals.

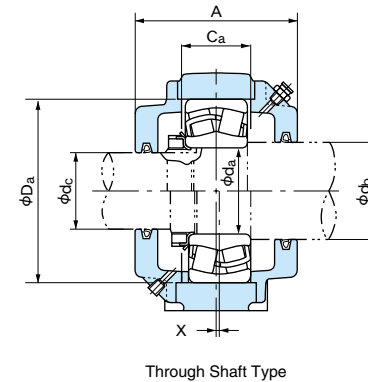
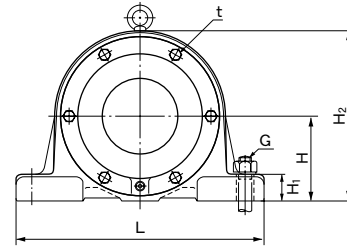
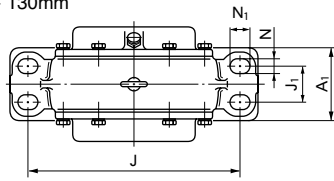
(9): The dimension Y indicates the distance from the bearing center to the outer side face of the nut.

One piece type Plummer Block Housings

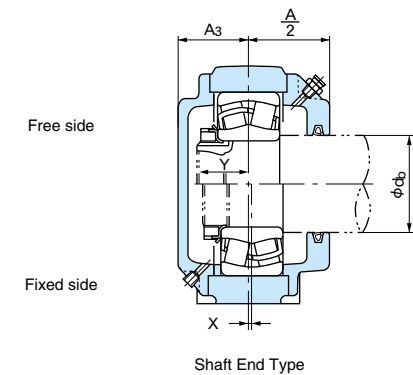
V Series

for Bearing with Cylindrical Bore

Shaft Diameter : 85 ~ 130mm



Through Shaft Type



Free side

Fixed side

Shaft End Type

1N=0.102kgf

Shaft dia. d _a d _b d _c (mm)	Dimensions (mm)														Mass (kg)		Designations		Applicable parts										
	D _a (H7)	H (h11)	J	J ₁	N	N ₁	A	L	A ₁	A ₃	H ₁	H ₂	C _a	G (Nominal)	t (Nominal) (Reference)	Same Bore Type	Different Bore Type	Self-aligning ball bearings	Spherical roller bearings	Nut	Locking washer	Oil seal		Locating ring		Y (Reference)			
																						d _b side	d _c side	Designation	Q'ty				
85	95	75	150	100	260	—	25	30	140	315	90	60	32	195	56	M22	M8	15	V150C95-75	V150C95-0	1217 2217	— 22217EX	AN17	AW17X	GS21	GS17	SR150×14 SR150×10	2 2	34 38
	95 ⁽¹⁾	75	180	125	320	56	23	32	170	380	110	75	40	243	70	M20	M8	28	V180C95-75	V180C95-0	1317 2317	21317E 22317EX	AN17	AW17X	GS21	GS17	SR180×14.5 SR180×10	2 1	41 50
90	100	80	160	112	290	—	25	30	150	345	100	65	35	224	62	M22	M8	23	V160C100-80	V160C100-0	1218 2218	— 22218EX	AN18	AW18X	GS22	GS18	SR160×16 SR160×11	2 2	35 40
	100 ⁽¹⁾	80	190	125	320	56	23	32	170	380	110	75	40	243	70	M20	M8	25	V190C100-80	V190C100-0	1318 2318	21318E 22318EX	AN18	AW18X	GS22	GS18	SR190×13.5 SR190×6	2 2	42 52
95	110	85	170	112	290	—	25	30	165	345	100	72.5	35	224	62	M22	M8	21	V170C110-85	V170C110-0	1219 2219	— 22219EX	AN19	AW19X	GS24	GS19	SR170×15 SR170×9.5	2 2	37 43
	110	85	200	132	350	60	23	32	190	410	120	82	45	265	82	M20	M10	39	V200C110-85	V200C110-0	1319 2319	21319E 22319EX	AN19	AW19X	GS24	GS19	SR200×18.5 SR200×15	2 1	44 55
100	115	90	180	125	320	56	23	32	170	380	110	75	40	243	70	M20	M8	27	V180C115-90	V180C115-0	1220 2220	— 22220EX	AN20	AW20X	GS26	GS20	SR180×18 SR180×12	2 2	39 45
	115	90	215	140	350	60	23	32	190	410	120	82	45	280	82	M20	M10	40	V215C115-90	V215C115-0	1320 2320	21320E 22320EX	AN20	AW20X	GS26	GS20	SR215×17.5 SR215×9	2 2	46 59
110	120	100	170	112	290	—	25	30	165	345	100	72.5	35	224	62	M22	M8	19	V170C120-100	V170C120-0	—	23022E	AN22	AW22X	GS27	GS22	SR170×8.5	2	46
	120	100	180	125	320	56	23	32	170	380	110	75	40	243	70	M20	M8	25	V180C120-100	V180C120-0	—	23122E	AN22	AW22X	GS27	GS22	SR180×14	1	51
	125	100	200	132	350	60	23	32	190	410	120	82	45	265	82	M20	M10	38	V200C125-100	V200C125-0	1222 2222	— 22222EX 23222E	AN22	AW22X	GS28	GS22	SR200×22 SR200×14.5 SR200×12.2	2 2 2	42 50 58
	125	100	240	160	390	80	23	32	218	470	150	96	50	315	96	M20	M10	58	V240C125-100	V240C125-0	1322 2322	21322E 22322EX	AN22	AW22X	GS28	GS22	SR240×23 SR240×16	2 1	48 63
120	130	110	180	125	320	56	23	32	170	380	110	75	40	243	70	M20	M8	24	V180C130-110	V180C130-0	—	23024E	ANL24	AWL24X	GS29	GS24	SR180×12	2	47
	130	110	200	132	350	60	23	32	190	410	120	82	45	265	82	M20	M10	37	V200C130-110	V200C130-0	—	23124E	AN24	AW24X	GS29	GS24	SR200×20	1	55
	135	110	215	140	350	60	23	32	190	410	120	82	45	280	82	M20	M10	40	V215C135-110	V215C135-0	—	22224EX 23224E	AN24	AW24X	GS30	GS24	SR215×12 SR215×6	2 1	53 62
	135	110	260	170	450	92	29	42	236	540	160	105	60	335	103	M24	M10	64	V260C135-110	V260C135-0	—	22324E	AN24	AW24X	GS30	GS24	SR260×17	1	67
130	140	115	200	132	350	60	23	32	190	410	120	82	45	265	82	M20	M10	36	V200C140-115	V200C140-0	—	23026E	ANL26	AWL26	GS32	GS26	SR200×15	2	51
	140	115	210	140	350	60	23	32	190	410	120	82	45	280	82	M20	M10	40	V210C140-115	V210C140-0	—	23126E	AN26	AW26	GS32	GS26	SR210×18	1	57
	145	115	230	150	380	65	23	32	200	450	130	87	50	300	86	M20	M10	48	V230C145-115	V230C145-0	—	22226EX 23226E	AN26	AW26	GS33	GS26	SR230×11 SR230×6	2 1	57 65
	150	115	280	180	470	92	29	42	243	560	160	108.5	60	355	108	M24	M10	80	V280C150-115	V280C150-0	—	22326E	AN26	AW26	GS34	GS26	SR280×15	1	72

Note (1): When heavy axial load is applied, a spacer with large O.D. and small inner chamfer must be used between the bearing and shaft shoulder to obtain a sufficient contact area.

Remarks (1): Plummer block housings are housings with covers, oil seals, a plug and a nipple. To make a complete unit, please order the corresponding bearing, adapter sleeve and locating rings shown in the table additionally.

(2): The masses in the table do not include the bearing, adapter sleeve and locating rings.

(3): H7 and h11 in the table means tolerance classes specified in JIS B 0401.

(4): The tolerance of locating ring O.D. is h12, and 0 ~ -0.2 for the width.

(5): Plummer block housings V180 and larger are provided with eye bolts.

(6): The threads for plugs are PT1/8 for V170 and smaller, and PT1/4 for V180 and larger.

(7): When one locating ring is used for fixed-end, the offset (X dimension) of bearing center from the center of the housing is a half of the locating ring width.

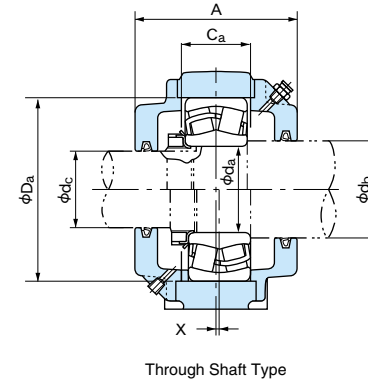
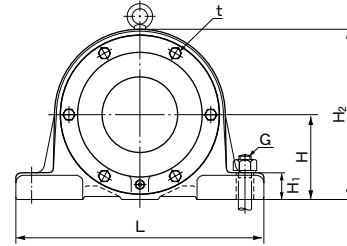
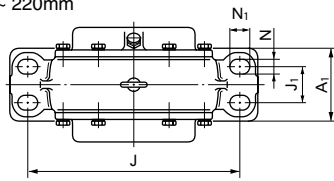
(8): ZF type oil seals are also available instead of GS type seals.

(9): The dimension Y indicates the distance from the bearing center to the outer side face of the nut.

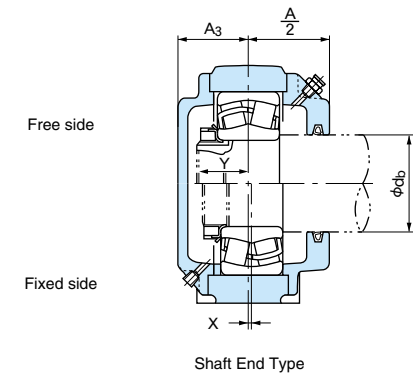
**One piece type
Plummer Block Housings**

V Series
for Bearing with Cylindrical Bore

Shaft Diameter: 140 ~ 220mm



Through Shaft Type



Shaft End Type

1N=0.102kgf

Shaft dia. d _a d _b d _c (mm)	Dimensions (mm)														Mass (kg) (Reference)	Designations		Applicable parts							Y (Reference)			
	D _a (H7)	H (h11)	J	J ₁	N	N ₁	A	L	A ₁	A ₃	H ₁	H ₂	C _a	G (Nominal)		t (Nominal Reference)	Same Bore Type	Different Bore Type	Spherical roller bearings	Nut	Locking washer	Oil seal		Locating ring				
																					d _b side	d _c side	Designation	Qty				
140	150	125	210	140	350	60	23	32	190	410	120	82	45	280	82	M20	M10	39	V210C150-125	V210C150-0	23028E	ANL28	AWL28	GS34	GS28	SR210×14.5	2	53
	155	125	225	150	380	65	23	32	200	450	130	87	50	300	86	M20	M10	48	V225C155-125	V225C155-0	23128E	AN28	AW28	GS35	GS28	SR225×18	1	60
			250	160	420	80	23	32	218	500	150	96	50	315	94	M20	M10	53	V250C155-125	V250C155-0	22228EX 23228E	AN28	AW28	GS35	GS28	SR250×13 SR250×6	2 1	60 70
	160	125	300	190	520	92	29	50	250	610	170	112	65	375	113	M24	M12	94	V300C160-125	V300C160-0	22328E	AN28	AW28	GS36	GS28	SR300×11	1	77
150	160 ⁽¹⁾	135	225	150	380	65	23	32	200	450	130	87	50	300	86	M20	M10	48	V225C160-135	V225C160-0	23030E	ANL30	AWL30	GS36	GS30	SR225×15	2	56
	165	135	250	160	420	80	23	32	218	500	150	96	50	315	94	M20	M10	50	V250C165-135	V250C165-0	23130E	AN30	AW30	GS37	GS30	SR250×14	1	68
			270	170	450	92	29	42	236	540	160	105	60	335	103	M24	M10	62	V270C165-135	V270C165-0	22230E 23230E	AN30	AW30	GS37	GS30	SR270×15 SR270×7	2 1	65 76
	170	135	320	200	560	92	29	50	258	660	180	116	65	405	122	M24	M12	113	V320C170-135	V320C170-0	22330E	AN30	AW30	GS38	GS30	SR320×14	1	82
160	170 ⁽¹⁾	140	240	160	390	80	23	32	218	470	150	96	50	315	96	M20	M10	55	V240C170-140	V240C170-0	23032E	ANL32	AWL32	GS38	GS32	SR240×18	2	61
	175	140	270	170	450	92	29	42	236	540	160	105	60	335	103	M24	M10	58	V270C175-140	V270C175-0	23132E	AN32	AW32	GS39	GS32	SR270×17	1	74
			290	190	470	92	29	50	250	560	170	112	60	375	113	M24	M12	96	V290C175-140	V290C175-0	22232E 23232E	AN32	AW32	GS39	GS32	SR290×16.5 SR290×9	2 1	71 83
	180	140	340	212	580	104	33	54	300	680	190	137	65	425	130	M27	M12	138	V340C180-140	V340C180-0	22332E	AN32	AW32	GS40	GS32	SR340×16	1	88
170	180 ⁽¹⁾	150	260	170	450	92	29	42	236	540	160	105	60	335	103	M24	M10	66	V260C180-150	V260C180-0	23034E	ANL34	AWL34	GS40	GS34	SR260×18	2	66
	190	150	280	180	470	92	29	42	243	560	160	108.5	60	355	108	M24	M10	78	V280C190-150	V280C190-0	23134E	AN34	AW34	GS42	GS34	SR280×20	1	76
			310	200	560	92	29	50	258	660	180	116	65	405	122	M24	M12	115	V310C190-150	V310C190-0	22234E 23234E	AN34	AW34	GS42	GS34	SR310×18 SR310×12	2 1	75 87
	190 ⁽¹⁾	160	280	180	470	92	29	42	243	560	160	108.5	60	355	108	M24	M10	78	V280C190-160	V280C190-0	23036E	ANL36	AWL36	GS42	GS36	SR280×17	2	70
180	200	160	300	190	520	92	29	50	250	610	170	112	65	375	113	M24	M12	92	V300C200-160	V300C200-0	23136E	AN36	AW36	GS44	GS36	SR300×17	1	81
			320	200	560	92	29	50	258	660	180	116	65	405	122	M24	M12	110	V320C200-160	V320C200-0	22236E 23236E	AN36	AW36	GS44	GS36	SR320×18 SR320×10	2 1	76 89
	200 ⁽¹⁾	170	290	190	470	92	29	50	250	560	170	112	60	375	113	M24	M12	91	V290C200-170	V290C200-0	23038E	ANL38	AWL38	GS44	GS38	SR290×19	2	72
	210	170	320	200	560	92	29	50	258	660	180	116	65	405	122	M24	M12	120	V320C210-170	V320C210-0	23138E	AN38	AW38	GS46	GS38	SR320×18	1	86
190			340	212	580	104	33	54	300	680	190	137	65	425	130	M27	M12	135	V340C210-170	V340C210-0	22238E 23238E	AN38	AW38	GS46	GS38	SR340×19 SR340×10	2 1	80 94
	210 ⁽¹⁾	180	310	200	560	92	29	50	258	660	180	116	65	405	122	M24	M12	125	V310C210-180	V310C210-0	23040E	ANL40	AWL40	GS46	GS40	SR310×20	2	76
	220	180	340	212	580	104	33	54	300	680	190	137	65	425	130	M27	M12	135	V340C220-180	V340C220-0	23140E	AN40	AW40	GS48	GS40	SR340×18	1	91
	220	230 ⁽¹⁾	200	340	212	580	104	33	54	300	680	190	137	65	425	130	M27	M12	132	V340C230-200	V340C230-0	23044E	ANL44	ALL44	GS50	GS44	SR340×20	2

Note (1): When heavy axial load is applied, a spacer with large O.D. and small inner chamfer must be used between the bearing and shaft shoulder to obtain a sufficient contact area.

Remarks (1): Plummer block housings are housings with covers, oil seals, a plug and a nipple only.

To make a complete unit, please order the corresponding bearing, adapter sleeve and locating rings shown in the table additionally.

(2): The masses in the table do not include the bearing, adapter sleeve and locating rings.

(3): H7 and h11 in the table means tolerance classes specified in JIS B 0401.

(4): The tolerance of locating ring O.D. is h12, and 0 ~ -0.2 for the width.

(5): Plummer block housings V180 and larger are provided with eye bolts.

(6): The threads for plugs are PT1/8 for V170 and smaller, and PT1/4 for V180 and larger.

(7): When one locating ring is used for fixed-end, the offset (X dimension) of bearing center from the center of the housing is a half of the locating ring width.

(8): ZF type oil seals are also available instead of GS type seals.

(9): The dimension Y indicates the distance from the bearing center to the outer side face of the nut.