



### 01 Balanced Piston Type Pressure Reducing Modular Valve

40ℓ/min  
0.15 to 25MPa

#### Features

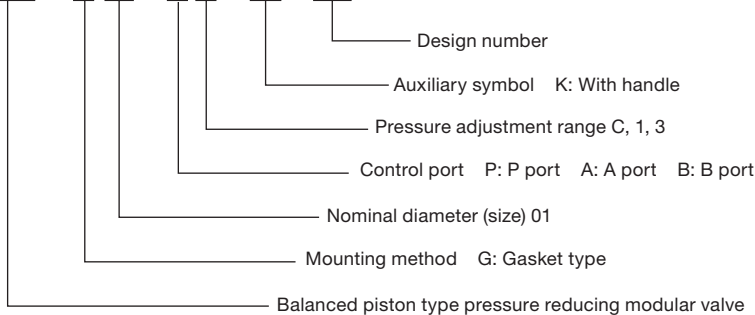
- ① This modular valve makes the pressure in part of the circuit lower than the main circuit.
- ② Even when pressure changes in the primary main circuit, the reduced secondary pressure is maintained at a constant level.
- ③ Compared with the direct type, this type of valve has outstanding Pressure-Flow Rate Characteristics, and a superior flow rate in the low pressure control range.
- ④ Maximum operating pressure: 25MPa {255kgf/cm<sup>2</sup>}

#### Specifications

Model No.	Nominal Diameter (Size)	Maximum Working Pressure MPa(kgf/cm <sup>2</sup> )	Maximum Flow Rate ℓ/min	Pressure Adjustment Range MPa(kgf/cm <sup>2</sup> )	Weight kg	Gasket Surface Dimensions
OGB-G01-PC-20 P1 P3	1/8	25 {255}	40	0.15 to 3.5{ 1.5 to 35.7}	1.9	ISO 4401-03-02-0-05
0.8 to 7 { 8.2 to 71.4}						
3.5 to 21 {35.7 to 214}						
OGB-G01-AC-20 A1 A3				0.15 to 3.5{ 1.5 to 35.7}	1.9	
				0.8 to 7 { 8.2 to 71.4}		
				3.5 to 21 {35.7 to 214}		
OGB-G01-BC-20 B1 B3				0.15 to 3.5{ 1.5 to 35.7}	1.9	
				0.8 to 7 { 8.2 to 71.4}		
				3.5 to 21 {35.7 to 214}		

#### Explanation of model No.

OGB - G 01 - P 1 - (K) - 20



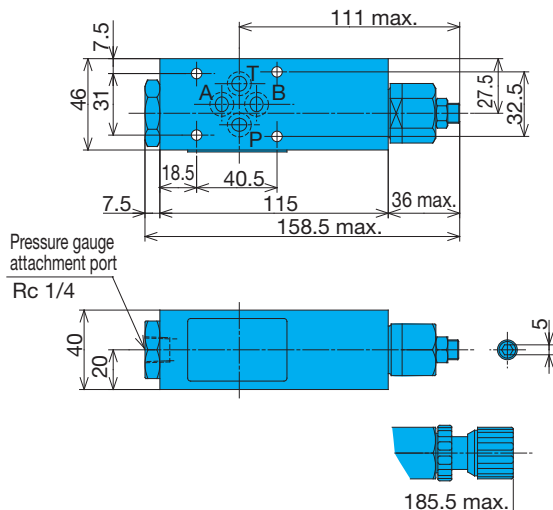
#### ● Handling

- ① See the Pressure-Flow Rate Characteristics for information about how the flow rate is controlled at low pressures.
- ② Note that a change in tank port back pressure causes a change in setting pressure.
- ③ Vent piping is not possible.
- ④ Note that a sub plate and installation bolts are not included. See pages D-90 through D-95 if these items are required.

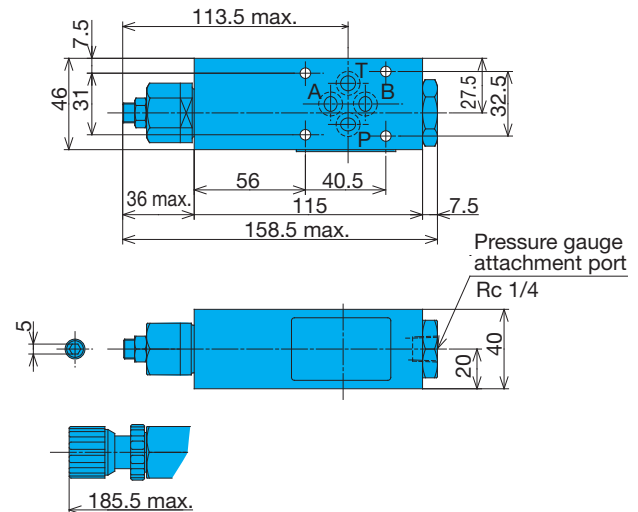
#### Installation Dimension Drawings

Note) Pressure is increased by clockwise (rightward) rotation of the adjusting screw (bolt), and decreased by counterclockwise (leftward) rotation.

OGB-G01-P<sup>\*</sup>-20  
A



OGB-G01-B\*-20

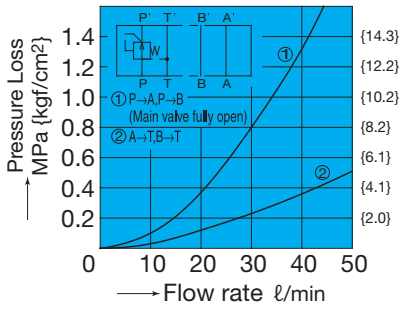


# Performance Curves

Hydraulic Operating Fluid Kinematic Viscosity 32mm<sup>2</sup>/s

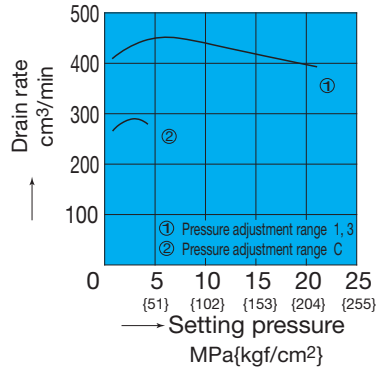
Pressure Loss Characteristics

OGB-G01-P\*-20



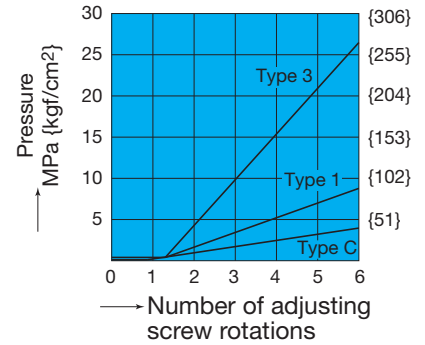
Pressure – Drain Rate Characteristics

OGB-G01-\*\*-20



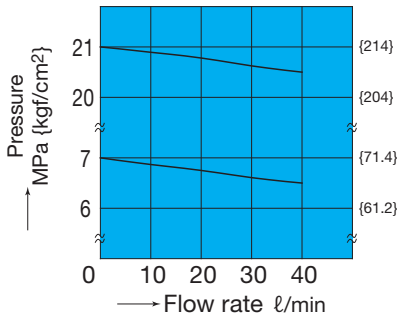
Number of Adjusting Screw Rotations – Pressure Characteristics

OGB-G01-P\*-20

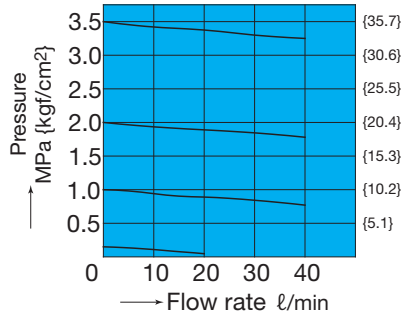


Pressure – Flow Rate Characteristics

OGB-G01-<sup>1</sup>/<sub>3</sub>-20

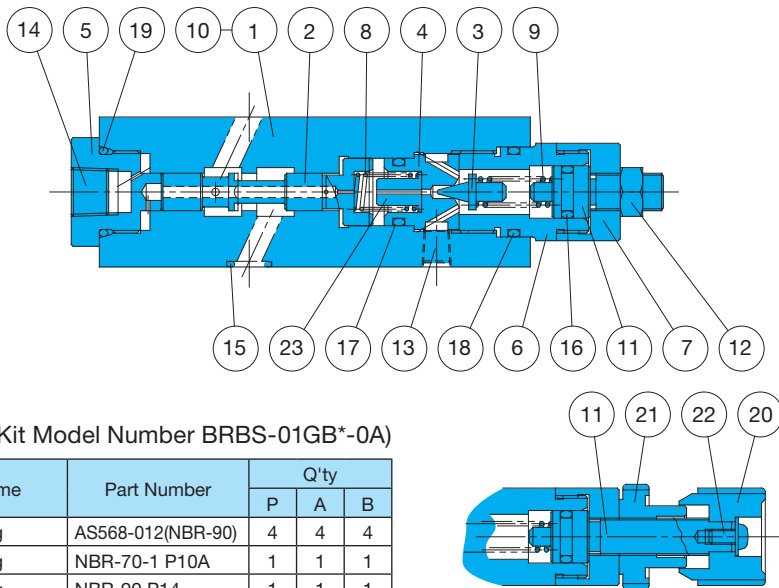


OGB-G01-\*C-20



# Cross-sectional Drawing

OGB-G01-P\*-20



Part No.	Part Name
1	Body
2	Spool
3	Poppet
4	Seat
5	Bushing
6	Retainer
7	Bushing
8	Spring
9	Spring
10	Plate
11	Screw
12	Nut
13	Plug
14	Plug
15	O-ring
16	O-ring
17	O-ring
18	O-ring
19	O-ring
20	Knob
21	Nut
22	Screw
23	Choke

Seal Part List (Kit Model Number BRBS-01GB\*-0A)

Part No.	Part Name	Part Number	Q'ty		
			P	A	B
15	O-ring	AS568-012(NBR-90)	4	4	4
16	O-ring	NBR-70-1 P10A	1	1	1
17	O-ring	NBR-90 P14	1	1	1
18	O-ring	NBR-90 P20	1	1	1
19	O-ring	NBR-90 P20	1	1	1

Note) 1. The materials and hardness of the O-ring conform with JIS B2401.  
 2. Specify P, A, or B for the asterisk (\*) in the kit model number.