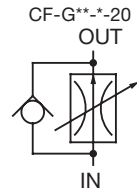


F Type Flow Control (and Check) Valve (With Pressure Compensation)

9 to 373ℓ/min
21MPa



Features

- ① Wide control flow rate range.
- ② A pressure compensation mechanism ensures that the control flow rate does not change, even when there is pressure fluctuation.

Specifications

Model No.	Nominal Diameter (Size)	Volume control flow rate ℓ/min	Maximum Working Pressure MPa{kgf/cm ² }	Cracking pressure MPa{kgf/cm ² }	Weight kg	Gasket Surface Dimensions
(C)F-G06-170-20	3/4	9 to 170	21{214}	0.1{1.0}	20.5	ISO 6263-08-13-0-97
(C)F-G10-373-20	1 1/4	20 to 373			43.1	—

● Handling

- ① In the pressure range of 1.0 to 21MPa {10.2 to 214kgf/cm²}, flow rate fluctuation is within ±5% of the setting flow rate.
- ② For flow rate control, make sure that the pressure differential between the input port and output port is at least 1.0MPa {10.2kgf/cm²}.
- ③ The control flow rate is increased by clockwise (rightward) rotation of the control handle.
- ④ See the table below for installation hex socket bolts.
- ⑤ Use the following table for specification when a sub plate is required.

Sub Plate Application Table

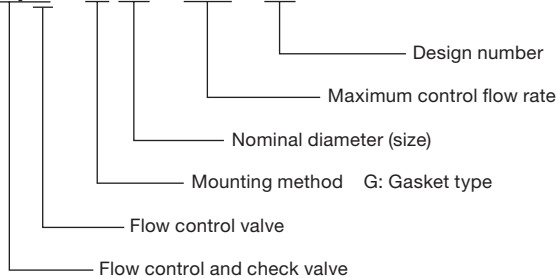
Model No.	Pipe Diameter	Recommended Flow Rate ℓ/min	Weight kg	Applicable Valve Type
MF-06-20	3/4	106	6.3	(C)F-G06-170-20
MF-06X-20	1	170	9.7	

Applicable Model	Bolt Size	Q'ty	Tightening Torque N·m{kgf·cm}
(C)F-G06	M16 × 100ℓ	4	190 to 235{1940 to 2400}
(C)F-G10	M20 × 115ℓ	4	370 to 460{3770 to 4690}

Note) For mounting bolts, use bolts of 12.9 strength classification or equivalent.

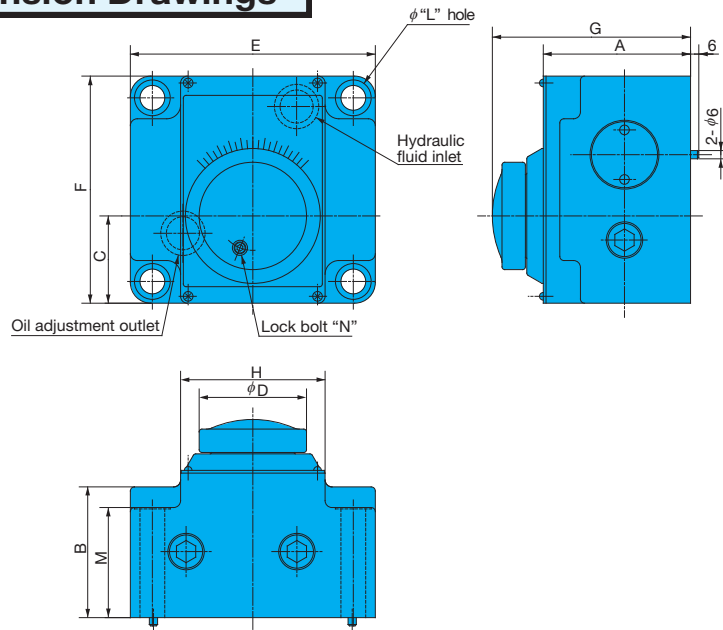
Explanation of model No.

(C) F - G 06 - 170 - 20



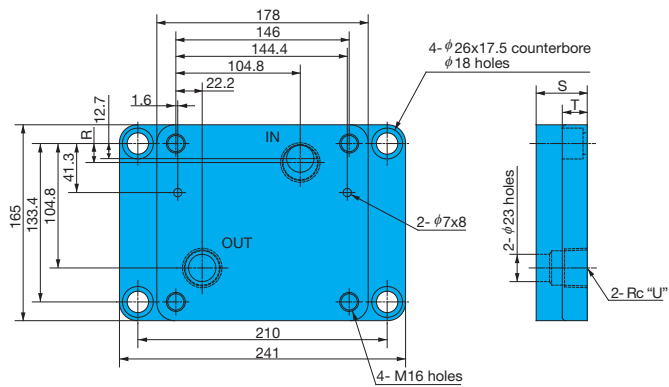
Installation Dimension Drawings

(C)F-G**-*-20



Model No.	Dimensions mm												
	A	B	C	D	E	F	G	H	J	K	L	M	N
(C)F-G06-*-20	107	95	63.4	80	178	165	144.5	105	26	1	18	80	M5
(C)F-G10-*-20	124	108	81.8	90	245	225	169.5	140	32	1	22	89	M6

Sub Plate MF-06*-20



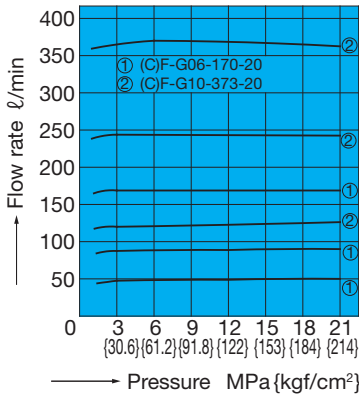
Sub Plate	Dimensions mm			
	R	S	T	U
MF-06-20	12.7	25	22	3/4
MF-06X-20	16	43	21	1



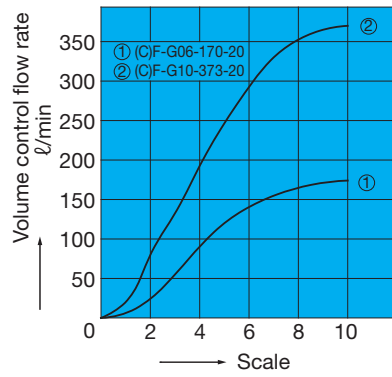
Performance Curves

Hydraulic Operating Fluid Kinematic Viscosity 32mm²/s

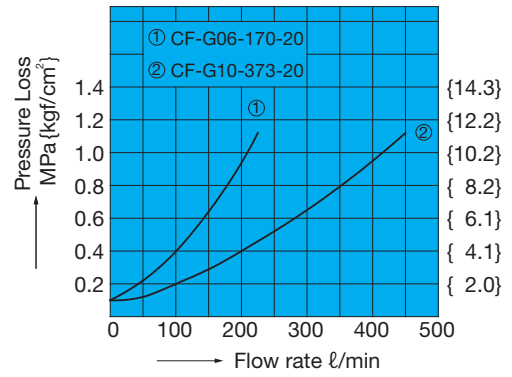
Pressure – Control Flow Rate Characteristics



Scale – Control Flow Rate Characteristics

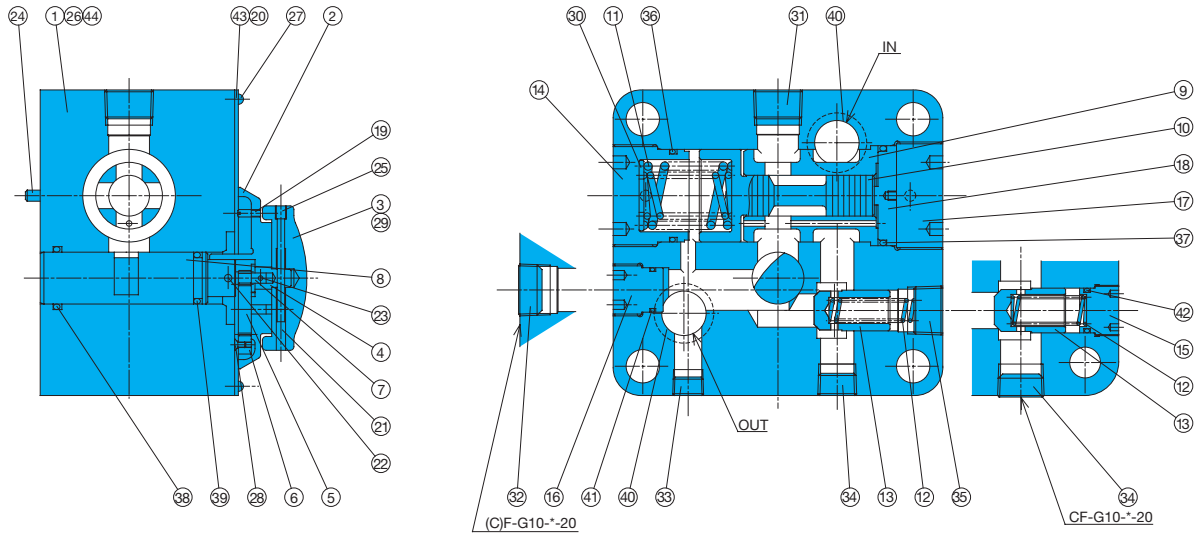


Pressure Loss Characteristics



Cross-sectional Drawing

CF-G** -**-20



Part No.	Part Name	Part No.	Part Name	Part No.	Part Name
1	Body	16	Plug	31	Plug
2	Cover	17	Plug	32	Plug
3	Knob	18	Retainer	33	Plug
4	Gear	19	Stopper	34	Plug
5	Gear	20	Pin	35	Plug
6	Gear	21	Pin	36	O-ring
7	Bushing	22	Pin	37	O-ring
8	Throttle	23	Pin	38	O-ring
9	Sleeve	24	Pin	39	O-ring
10	Piston	25	Screw	40	O-ring
11	Spring	26	Screw	41	O-ring
12	Spring	27	Screw	42	O-ring
13	Poppet	28	Screw	43	Plate
14	Plug	29	Screw	44	Screw
15	Plug	30	Washer		

Seal Part List (Kit Model Number FBBS-***)

Part No.	Part Name	CF-G06-170-20		CF-G10-373-20	
		Part Number	Q'ty	Part Number	Q'ty
36	O-ring	NBR-90 G45	1	NBR-90 G60	1
37	O-ring	NBR-90 P48	1	NBR-90 G65	1
38	O-ring	NBR-90 P28	1	NBR-90 P45	1
39	O-ring	NBR-90 P22A	1	NBR-90 P39	1
40	O-ring	NBR-90 P29	2	NBR-90 P32	2
41	O-ring	NBR-90 P20	1	—	—
42	O-ring	—	—	NBR-90 P26	1

Note) The materials and hardness of the O-ring conforms with JIS B2401. For the *** part of the kit number, specify the valve size (G06, G10).